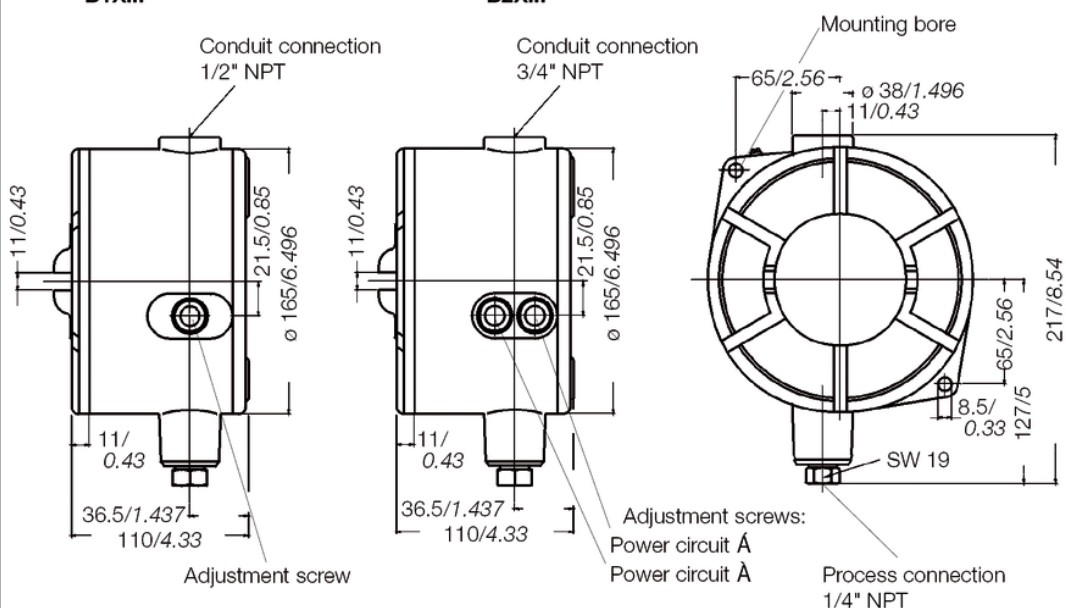


Dimensions (mm / inch)



B1X...

B2X...

Conduit connection 1/2" NPT

Conduit connection 3/4" NPT

Mounting bore

65/2.56

ø 38/1.496

11/0.43

217/8.54

21.5/0.85

ø 165/6.496

11/0.43

11/0.43

36.5/1.437

110/4.33

Adjustment screw

Adjustment screws:
Power circuit A
Power circuit A

Process connection
1/4" NPT

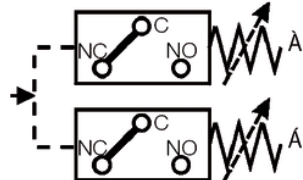
SW 19

8.5/0.33

65/2.56

127/5

Switching- and connection diagram for all types (pressureless)



Power circuit A	Power circuit A
C=light blue	C=brown
NC=blue	NC=orange
NO=red	NO=black

Electrical Ratings

Micro switch	Special features	Volt AC 50/60 Hz	Ind. load A	Res. load A	Volt DC	Ind. load A	Res. load A	Comments
H	Micro switch with silver contacts	125 250 480*	10 10 3	10 10 3	6 to 24	0.50	0.5	Small hysteresis; High AC-/ low DC-load
M	Micro switch with silver contacts	125 250 480*	10 10 3	10 10 3	12 24 250*	5.00 1.00 0.25	15.0 2.0 0.4	Medium hysteresis; High AC- and DC-loads
GH	Micro switch with gold-plated contacts for low voltage and/ or low current	125	1	1	24	1.00	1.00	Small hysteresis
GM		30	0.1	0.1	30	0.10	0.1	Medium hysteresis

* on request

Approvals

EX	Ex d approval
UL	cULus approval
EXI	Ex i approval

Order Code

Example for order number

Type	Micro switch	Pressure range code	Options	Approval
B1X or B2X	H	72SS	P2	UL

Your order number

Type	Micro switch	Pressure range code	Options	Approval
<input type="text"/>	<input type="text"/>	<input type="text"/>	<input type="text"/>	<input type="text"/>

Options

P2 = 1/2" NPT F SS Process connection